



EN3



WWW.NAFFIRE.COM



مصنع نصر عواد
لمعدات الاطفاء و السلامة العامة
Nasr Awwadeh Factory
For Fire Fighting and Safety Equipment

WET CHEMICAL EXTINGUISHER

NAF Wet Chemical extinguishes Fire by forming a soapy foam blanket over the burning oil by cooling the oil below its ignition temperature.

NAF Wet Chemical Extinguishers are on top of the industry as apart from a good F rating.

It has a nice A and B rating compared to the foam extinguisher in the market, which make it really a versatile extinguisher.

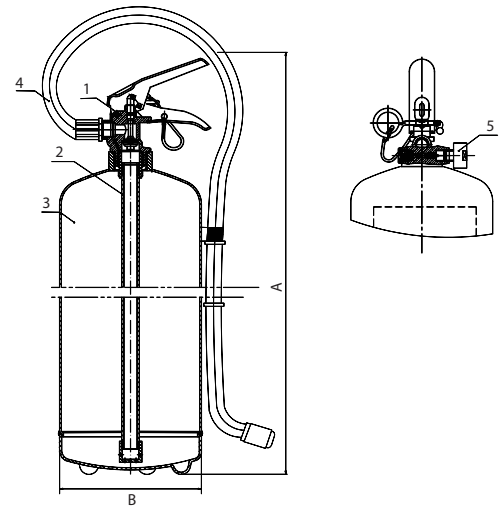


TECHNICAL DRAWING

NWC3 - NWC6

Part	Description
1	Valve Assembly
2	Dip Tube
3	Cylinder
4	Hose
5	Pressure Gauge

Model	NWC3	NWC6
A	435 mm	531 mm
B	130 mm	162 mm



SPECIFICATIONS & MODELS

Model	NWC3	NWC6
Cylinder Material	DC01	DC01
Capacity (KG)	3	6
Full Weight (KG)	5.40	9.60
Height (mm)	435	537
Shell Diameter (mm)	130	162
Working Pressure (bar)	9	9
Test Pressure (bar)	27	27
Approx. Discharge Time (second)	20	42
Approx. Range of Throw (m)	3	4
Temperature Range	+5 C°~ +60 C°	+5 C°~ +60 C°
Hose Type	PVC	PVC
Hose Length (mm)	420	610
Fire Rating	13A 70B 40F	21A 113B 75F
Approved to EN3	✓	✓

FEATURES

- All extinguishers are factory filled with an aqueous solution, is suitable for use on Class F fire, which involves cooking oils and fats. It reacts with the burning oil or fat forming a 'blanket' that rapidly knocks the flames out and cools the burning oil
- Portable extinguisher are of store pressure type
- Portable extinguishers are designed and approved to EN3
- All models are tested to clause 9.2 of EN3-7 for use on live electrical equipment
- High UV resistant polyester coating for extra protection from extremely harsh elements
- Extinguishers are lined with Polyethylene for corrosion resistance
- Easy squeeze-grip operation and all metal handles

